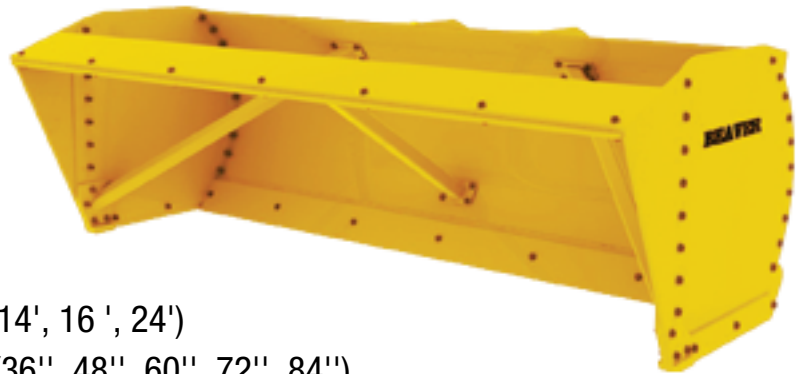


Tools for wheel loaders

Snow basket



Robust construction, Beaver Snow plow offers a range of options to meet all needs.

- Available in several widths (8', 10', 12', 14', 16', 24')
- Side panels available in different lengths (36", 48", 60", 72", 84")
- Couplings on hooks or pin on (direct)
- Optimal design, snow rolls well inside the basket
- Sides, and wear cutter, bottom wear plates
- Bolted reinforcements (in option)
- Back blade and outer hooks (in option)
- Top blade (in option)

Adjust your plow has simply by bolting. And can be weld also .
The locations of the holes are already provided for additions options.

Headquarter

129 des Lavandières, Saint-Augustin-de-Desmaures
Québec Canada G3A 2R4

Québec

Telephone : 418 878 3770
Fax : 418 908 1097

Montréal

Telephone : 514-235-0362

info@beaverequip.com